

ELSTON

HEATERS



Parts List for Universal (HC) Heater

Another Quality Product of:



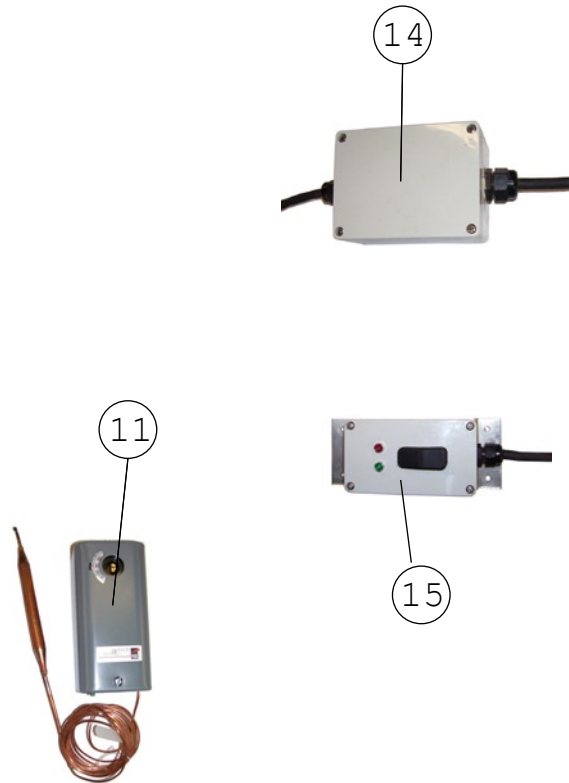
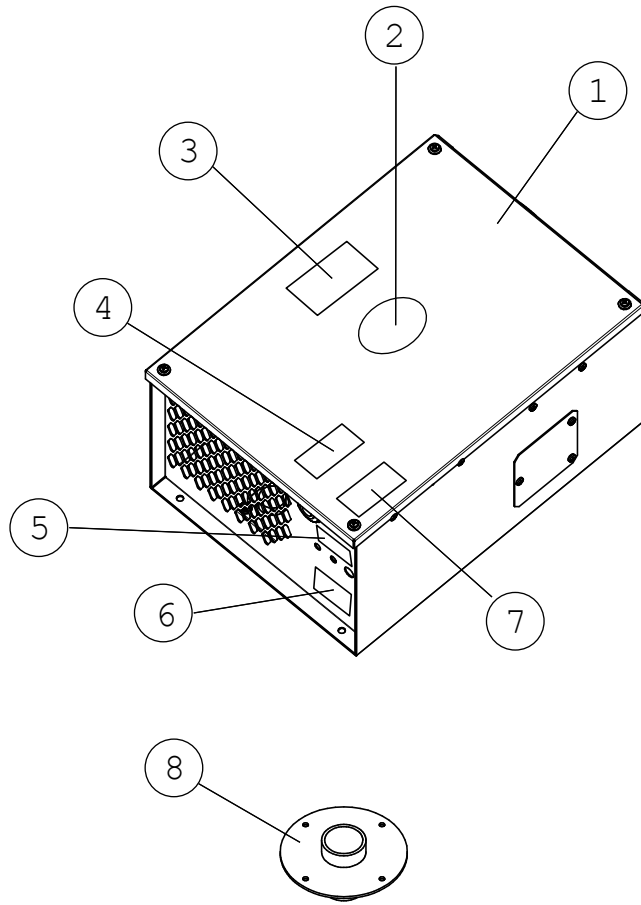
ELSTON MANUFACTURING INC.

706 N Weber

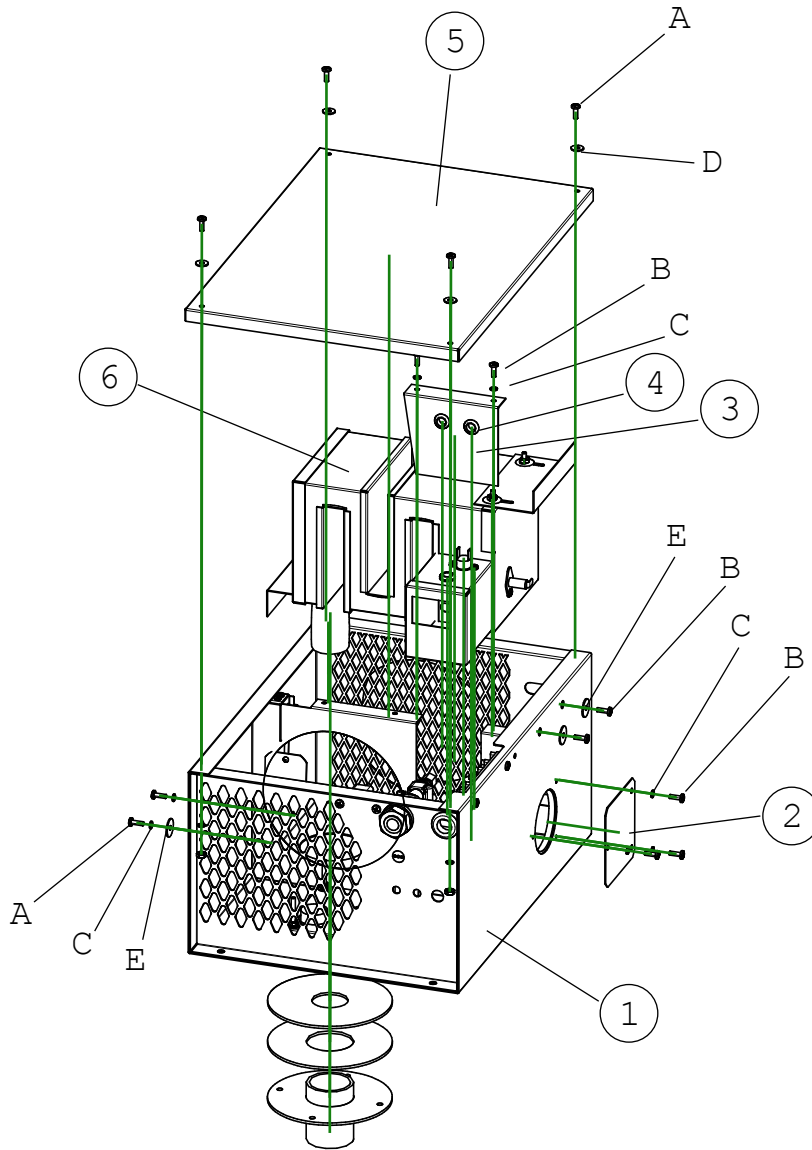
Sioux Falls, SD 57103

www.elstonmfg.com **1-800-845-1385**

Form HC-P-RC
Revision F
Edited 2011



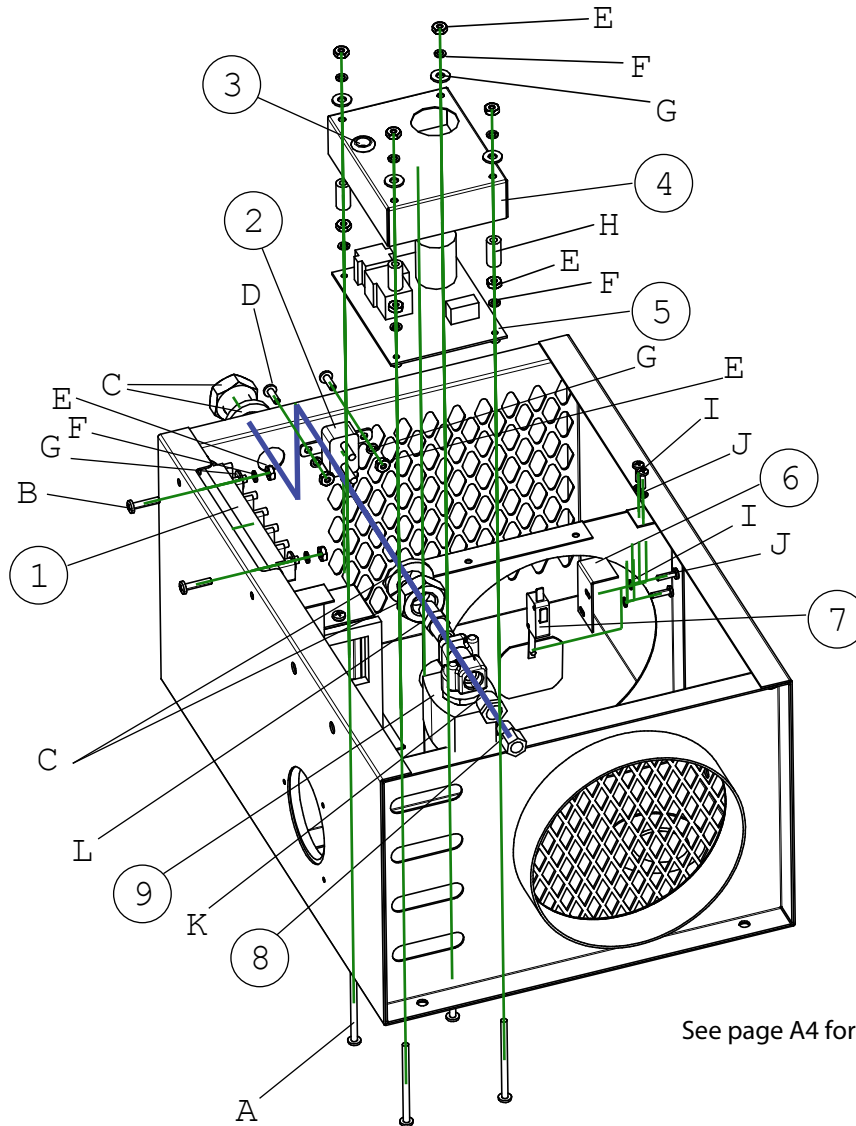
Ref #	Name	Part #	Ref #	Name	Part #
1	Heater Body	see p A2	11	Thermostat w/ Knob (replacement knob HLC-225-01)	HLC-225A
2	Elston Decal	SD-02	12	Owners Manual (not shown)	HD-27
3	Warning - Clearances	HD-52	13	Mounting Template (not shown)	HD-28
4	Attention Installer (removed after install)	HD-48	14	24V Converter Box	HC-500
5	Serial Number	HD-22	15	Remote Box	HC-550
6	Product Specifications	HD-42	1-13	Universal Heater - 12VDC	H-C-1
7	Warning - Product Requirements	HD-23	1-14	Universal Heater - 24VDC	H-C-24V
8	Exhaust Coupling	HC-111	1-13,15	Universal Heater - 12VDC w/ Remote	H-C-1R
9	Gasket for HC-111 (large hole - not shown)	HC-114-01	1-15	Universal Heater - 24VDC w/ Remote	H-C-24VR
10	Gasket for Exhaust (small hole - not shown)	HC-114-02			



Ref #	Name	Part #	Ref #	Name	Qty
1	Heater Shell	HC-100	A	3/4" #8-32 SS Machine Screw	6
2	Spark Probe Access Panel	HC-1-05	B	1/2" #8-32 SS Machine Screw	7
3	Blower Slot Cover	HC-1-01	C	#8 SS Lock Washer	10
4	3/8" ID Grommet	HLC-407	D	#8 SS Flat Washer	7
5	Heater Shell Cover	HC-101	E	#8 SS Fender Washer	4
6	Combustion Chamber Assembly	see p A4	F	#8-32 SS Hex Nut	3
7	Fan - 6" Diameter	HC-405	G	2 1/2" #8-32 Machine Screw	3
	Mounting Hardware: C,D,F,G (not shown)				

See page A3 for electrical and propane related parts

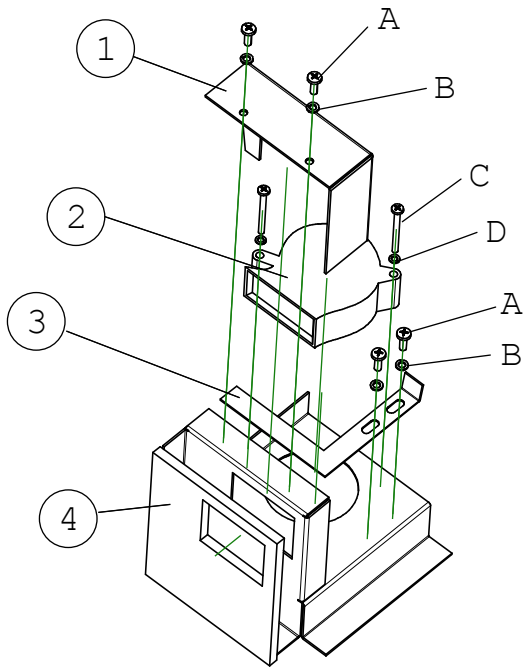
Use high temperature anti-seize compound on all screws attaching combustion chamber assembly



See page A4 for close up of blower inlet area

Ref #	Name	Part #	Ref #	Name	Qty
1	Terminal Block	HC-429	A	1 3/4" #8-32 SS Machine Screw	4
2	Circuit Breaker	HC-409	B	3/4" #8-32 SS Machine Screw	2
3	3/8" ID Grommet	HLC-407	C	Bulkhead Fitting	HLC-218
4	Ignition Module Cover	HC-1-03	D	1/2" #8-32 SS Machine Screw	2
5	Ignition Module w/Relay	HLC-918	E	#8-32 SS Hex Nut	12
6	Sail Switch Mounting Bracket	HC-1-06	F	#8 SS Lock Washer	10
7	Sail Switch	HC-417	G	#8 SS Flat Washer	8
8	Extension Orifice	HC-413	H	3/4" Plastic Standoff - 0.156" ID	4
9	Gas Valve	HLC-229	I	1/2" #6-32 SS Machine Screw	4
10	Green Indicator Light (not shown)	HC-553	J	#6 SS Lock Washer	4
11	Red Indicator Light (not shown)	HC-554	K	1/4" - 1/8" NPT Bushing	1
12	Toggle Switch (not shown)	HLC-401	L	1/4" NPT Hex Nipple	1

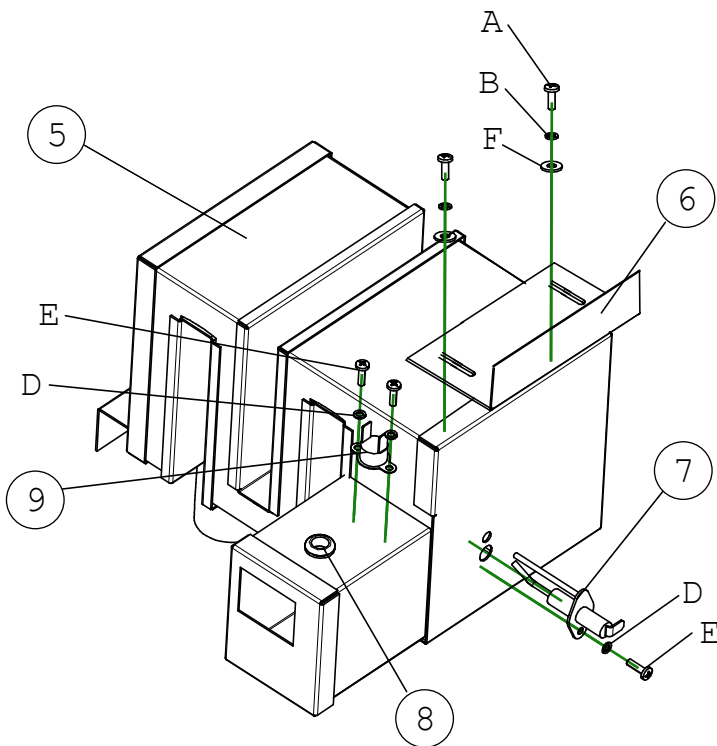
Closeup of Blower Area



Ref #	Name	Part #
1	Blower Inlet Cover	HC-1-02
2	Small Blower	HC-420
3	Air Adjustment Plate	HC-1-04
4	Combustion Chamber Inlet Gasket	HC-1-07

Ref #	Description	Qty
A	1/2" #8-32 SS Machine Screw	4
B	#8 SS Lock Washer	4
C	1 1/2" #6-32 SS Machine Screw	2
D	#6 SS Lock Washer	2

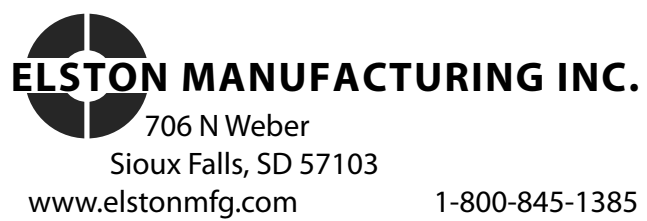
Combustion Chamber Assembly



Ref #	Name	Part #
5	Combustion Chamber	HC-200
6	Comb. Chamber Top Mounting Bracket	HC-107
7	HC Spark Probe	HC-416
8	3/8" ID Gasket	HLC-407
9	High Limit Switch	HC-414
5,7-9, D,E	Combustion Chamber Complete	HC-200C
10	High Voltage Cable (not pictured)	HC-422

Ref #	Description	Qty
E	1/2" #6-32 SS Machine Screw	3
F	#8 SS Fender Washer	2

Use high temperature anti-seize compound on all screws in combustion chamber assembly



706 N Weber
Sioux Falls, SD 57103

www.elstonmfg.com

1-800-845-1385