

ELSTON

Nosemount Cargo Heaters



Parts List

Another Quality Product of:

Please Contact Us for Parts and Service:



ELSTON MANUFACTURING INC.

706 N Weber
Sioux Falls, SD 57103
www.elstonmfg.com
1-800-845-1385

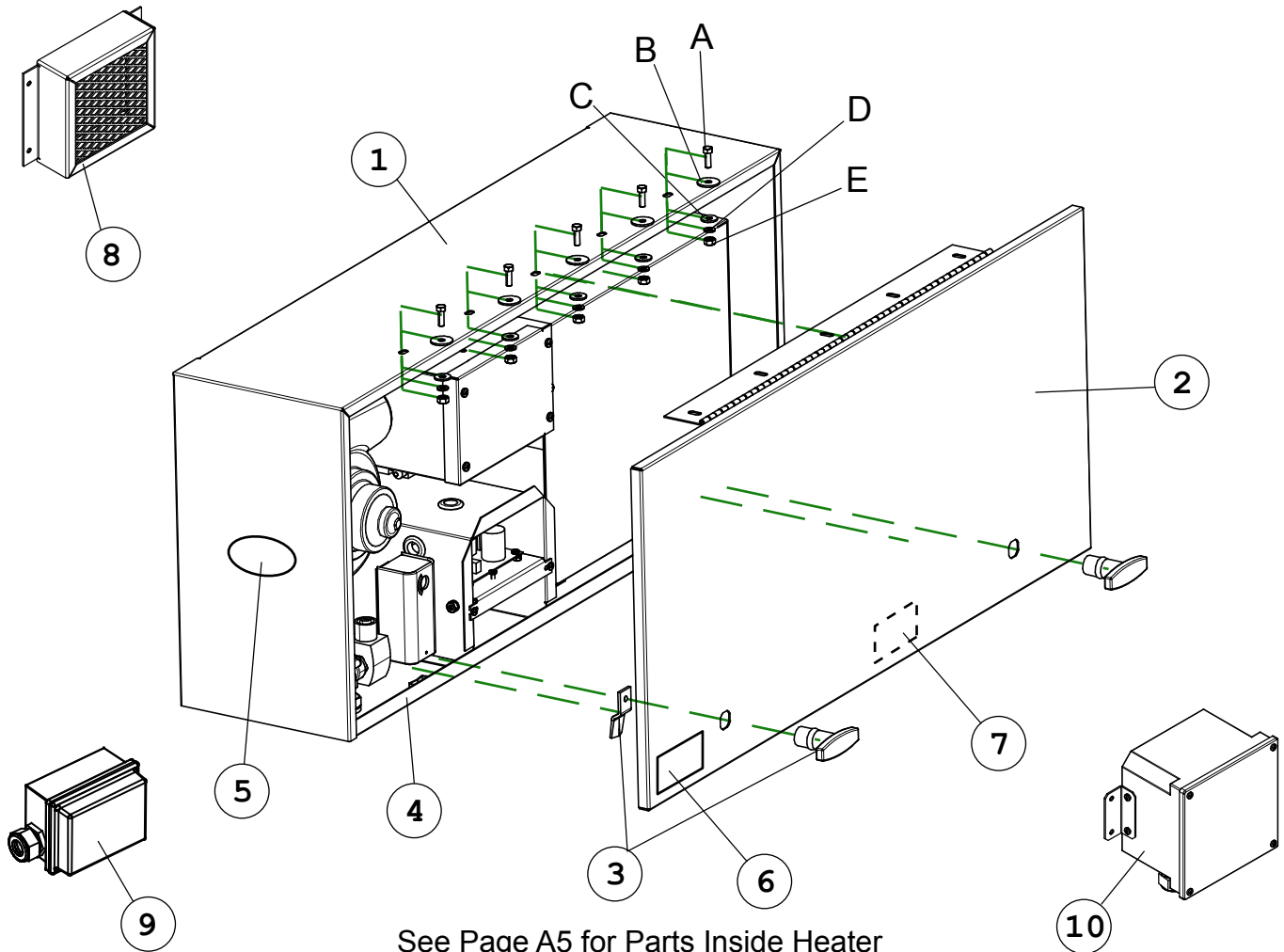
Version E
Updated 2011

Table of Contents

H-LC-1 and H-LC-110 Recirculating Heater with Steel Shell	A1
H-LC-1B and H-LC-110B Recirculating Heater with Aluminum Shell	A2
H-LC-1V and H-LC-1V Vented Heater with Steel Shell	A3
HLC-1VB and HLC-110VB Vented Heater with Aluminum Shell	A4
Inside of Recirculating Heater Shell	A5
Inside of Vented Heater Shell	A6
Stainless Steel Combustion Chamber Assembly (HLC-600-700)	A7
Blower Assembly - Recirculating Style (HLC-800)	A8
Blower Assembly - Vented Style (HLC-800V)	A8
Gas Valve Assembly	A9
Electrical Tray Assembly (HLC-900)	A9
Control Box (HLC-3)	A10
110V Standby (HLC-2)	A10

Parts List for HLC Heaters

H-LC-1A and H-LC-110A



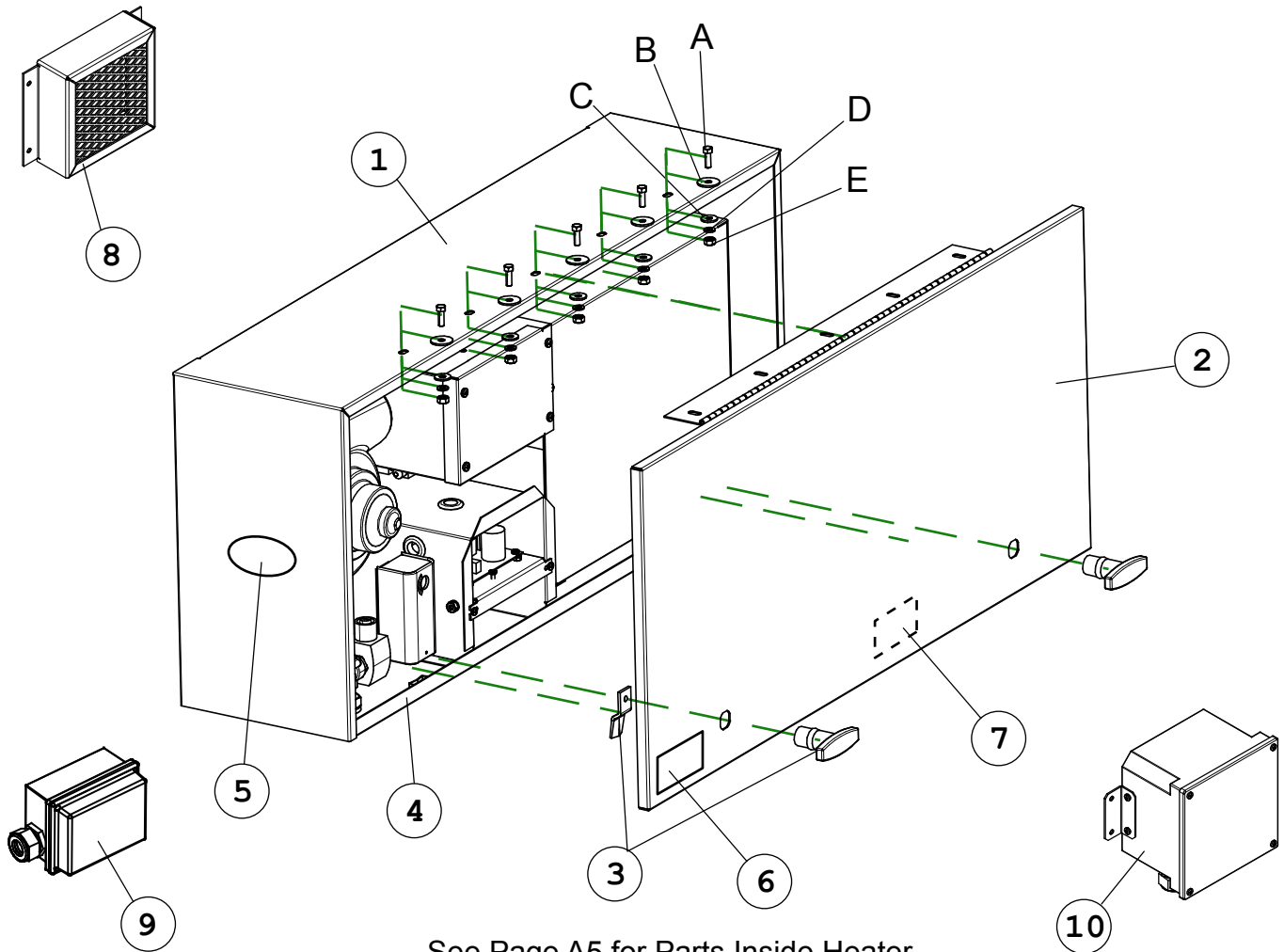
See Page A5 for Parts Inside Heater

Label	Name	Part #
1	Steel Heater Shell	HLC-130RS
2	Steel Door w/ Hinge	HLC-132S
3	Door Latch	HLC-139
4	Door Seal (Not Shown)	HLC-121
5	Elston Decal	SD-02
6	Requirements Decal	HD-23
7	Service Decal	HD-09
8	Hot Air Outlet Cover	HLC-851
9	Control Box (See A10)	HLC-3
10	110V Standby (H-LC-110A only) - See A10	HLC-2
	Owners Manual	HD-24R
	Mounting Template	HC-25R

Label	Name	Quan.
A	3/4" 1/4"-20 SS Hex Head Bolt	5
B	1/4"x1" SS Washer	5
C	1/4" SS Washer	5
D	1/4" SS Lock Washer	5
E	1/4"-20 SS Nut	5

Parts List for HLC Heaters

H-LC-1B and H-LC-110B



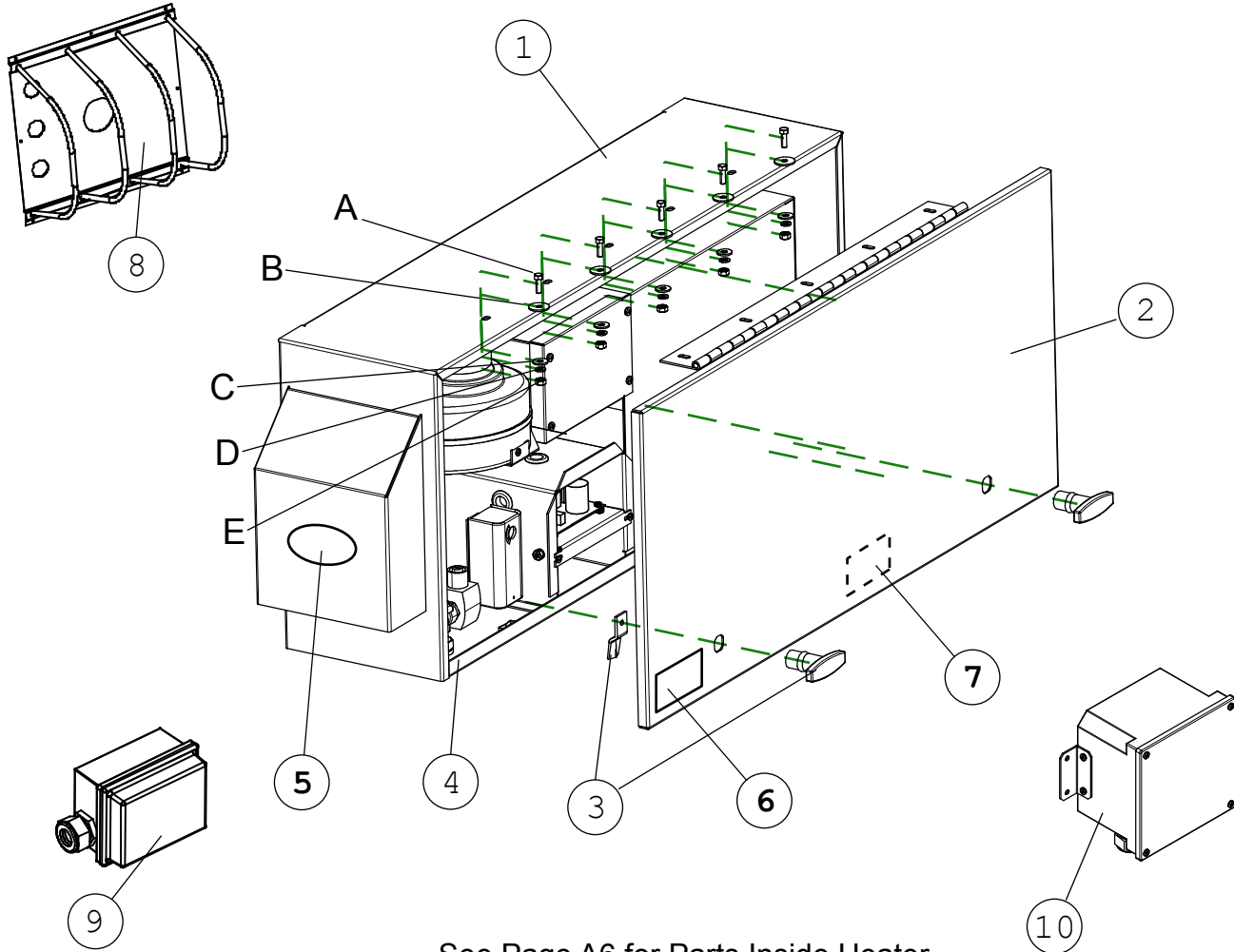
See Page A5 for Parts Inside Heater

Label	Name	Part #
1	Aluminum Heater Shell	HLC-130RAL
2	Aluminum Door w/ Hinge	HLC-132AL
3	Door Latch	HLC-139
4	Door Seal (Not Shown)	HLC-121
5	Elston Decal	SD-02
6	Requirements Decal	HD-23
7	Service Decal	HD-09
8	Hot Air Outlet Cover	HLC-851
9	Control Box (See A10)	HLC-3
10	110V Standby (H-LC-110B only) - See A10	HLC-2
	Owners Manual	HD-24R
	Mounting Template	HC-25R

Label	Name	Quan.
A	3/4" 1/4"-20 SS Hex Head Bolt	5
B	1/4"x1" SS Washer	5
C	1/4" SS Washer	5
D	1/4" SS Lock Washer	5
E	1/4"-20 SS Nut	5

Parts List for HLC Heaters

H-LC-1VA and H-LC-110VA



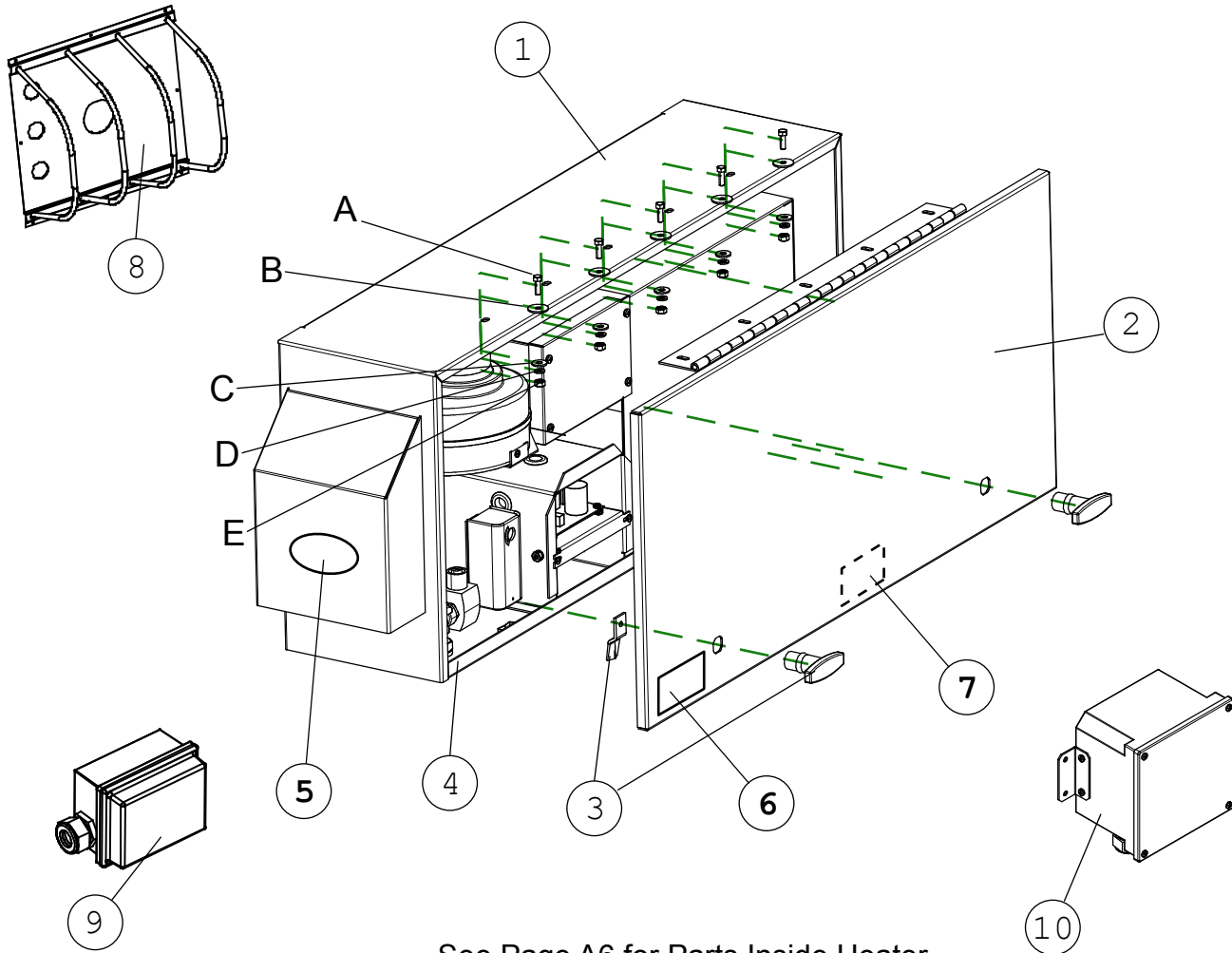
See Page A6 for Parts Inside Heater

Label	Name	Part #
1	Vented Steel Heater Shell	HLC-130VS
2	Steel Cover w/ Hinge	HLC-132S
3	Door Latch	HLC-139
4	Door Seal (Not Shown)	HLC-121
5	Elston Decal	SD-02
6	Requirements Decal	HD-23
7	Service Decal	HD-09
8	Hot Air Outlet Guard	HLC-852
9	Control Box (See A10)	HLC-3
10	110V Standby (H-LC-110VA only) - See A10	HLC-2
	Owners Manual	HD-24V
	Mounting Template	HC-25V

Label	Name	Quan.
A	3/4" 1/4"-20 SS Hex Head Bolt	5
B	1/4"x1" SS Washer	5
C	1/4" SS Washer	5
D	1/4" SS Lock Washer	5
E	1/4"-20 SS Nut	5

Parts List for HLC Heaters

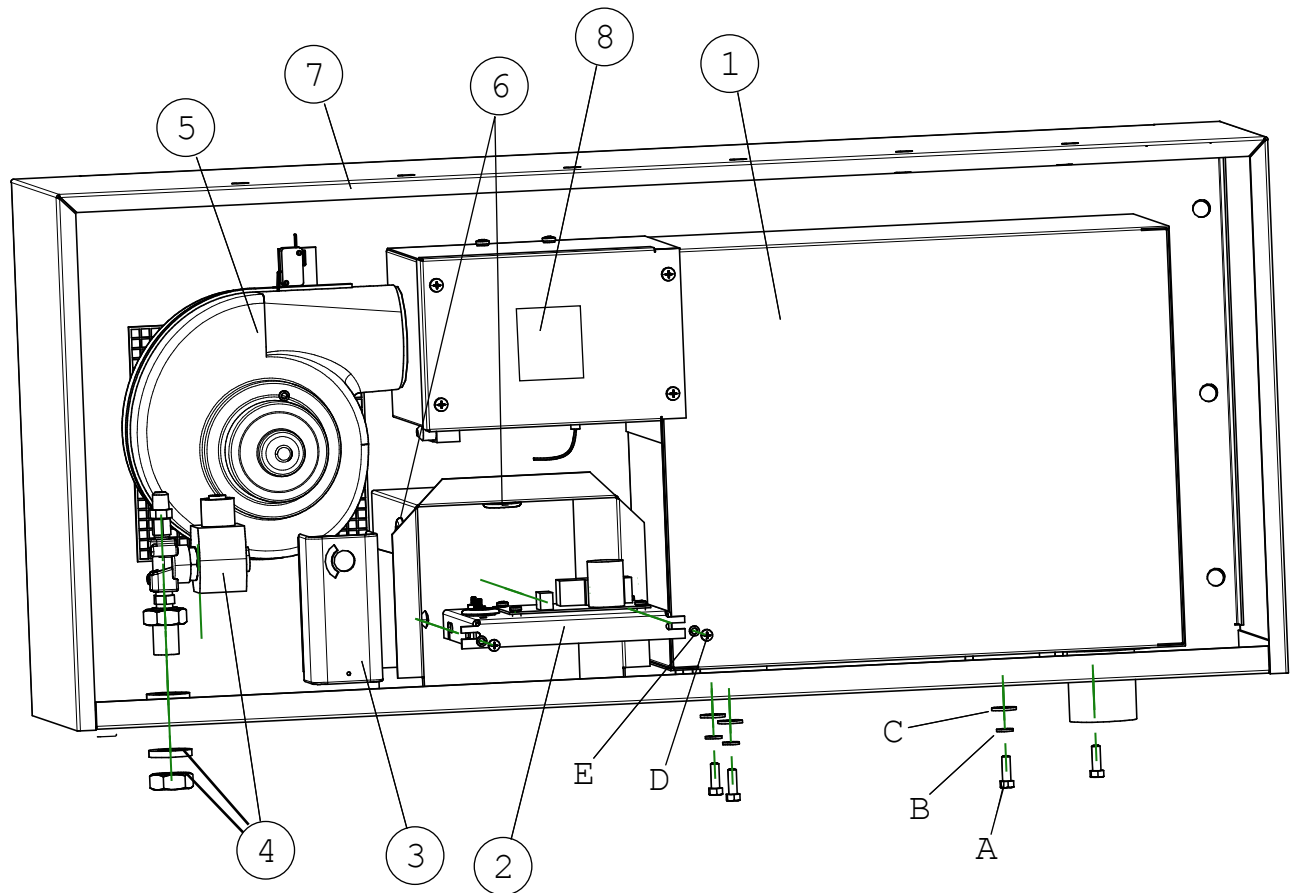
H-LC-1VB and H-LC-110VB



See Page A6 for Parts Inside Heater

Label	Name	Part #
1	Aluminum Heater Shell	HLC-130VAL
2	Aluminum Door w/ Hinge	HLC-132AL
3	Door Latch	HLC-139
4	Door Seal (Not Shown)	HLC-121
5	Elston Decal	SD-02
6	Requirements Decal	HD-23
7	Service Decal	HD-09
8	Hot Air Outlet Guard	HLC-852
9	Control Box (See A10)	HLC-3
10	110V Standby (H-LC-110VB only) - See A10	HLC-2
	Owners Manual	HD-24V
	Mounting Template	HC-25V

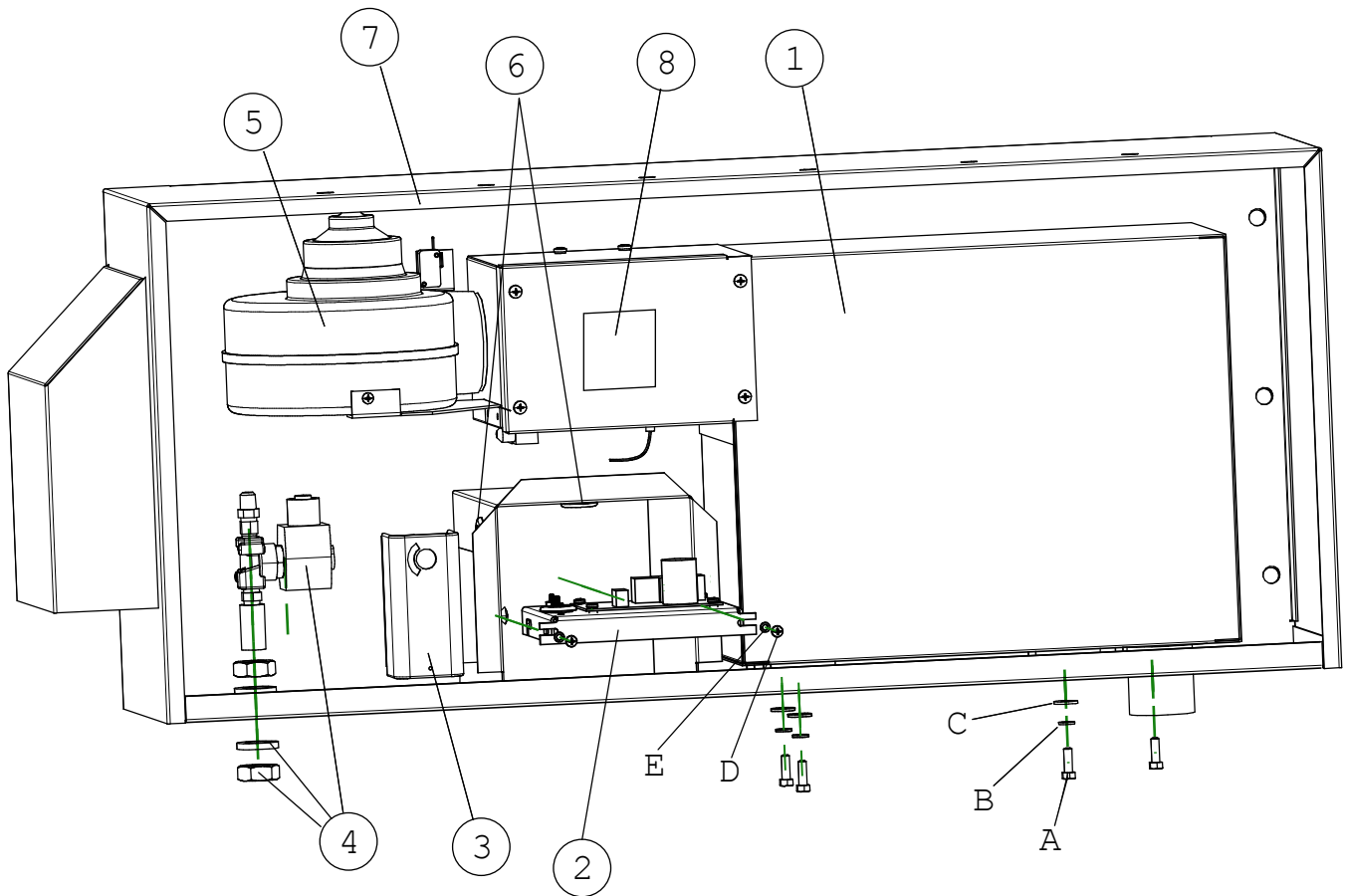
Label	Name	Quan.
A	3/4" 1/4"-20 SS Hex Head Bolt	5
B	1/4"x1" SS Washer	5
C	1/4" SS Washer	5
D	1/4" SS Lock Washer	5
E	1/4"-20 SS Nut	5



Label	Name	Part #
1	Stainless Steel Combustion Chamber Assembly (See A7)	HLC-600-700
2	Electrical Tray Assembly (See A9)	HLC-900
3	Thermostat w/ Knob	HLC-225A
4	Gas Valve Assembly	See A9
5	Blower Assembly - Recirculating Style (See A8)	HLC-800
	17" Gas Hose (not shown)	HLC-904
6	5/8" Rubber Grommet	HLC-408
7	Condensation Guard (inside top lip of heater)	HLC-100-01
8	Recirc. Heater Spec. Decal	HD-44

Label	Name	Quan.
A	3/4" 1/4"-20 Hex Head Bolt	4
B	1/4" Lock Washer	4
C	1/4" Washer	4
D	1/2" 8-32 SS Machine Screw	2
E	#8 SS Lock Washer	2

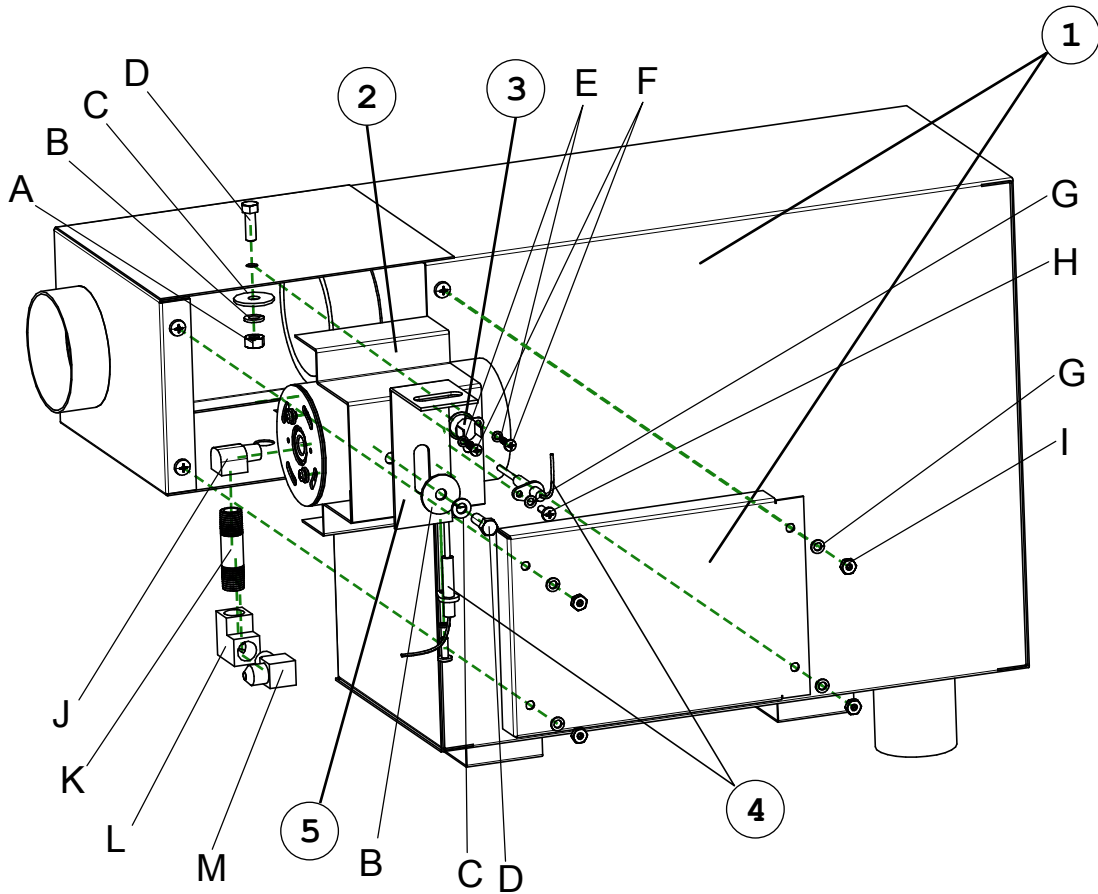
For clarity, wiring and insulation is not shown above.



Label	Name	Part #
1	Stainless Steel Combustion Chamber Assembly (See A7)	HLC-600-700
2	Electrical Tray Assembly (See A9)	HLC-900
3	Thermostat w/ Knob	HLC-225A
4	Gas Valve Assembly	See A9
5	Blower Assembly - Vented Style (See A8)	HLC-800V
	17" Gas Hose (not shown)	HLC-904
6	5/8" Rubber Grommet	HLC-408
7	Condensation Guard (inside top lip of heater)	HLC-100-01
8	Vented Heater Spec. Decal	HD-45

Label	Name	Quan.
A	3/4" 1/4"-20 Hex Head Bolt	4
B	1/4" Lock Washer	4
C	1/4" Washer	4
D	1/2" 8-32 SS Machine Screw	2
E	#8 SS Lock Washer	2

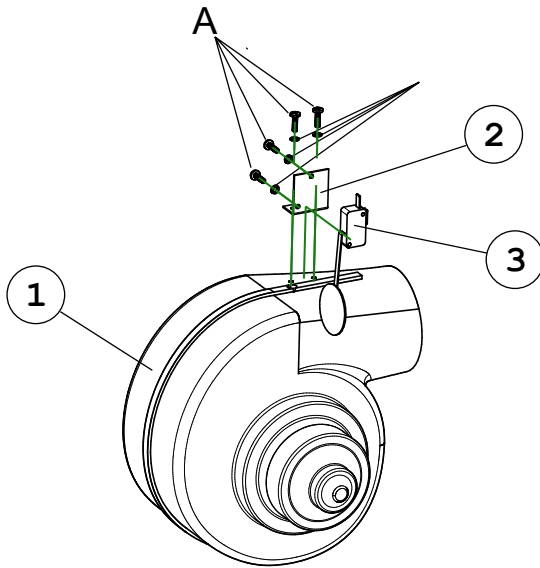
For clarity, wiring and insulation is not shown above.



Label	Name	Part #
1	Combustion Chamber	HLC-700
2	Burner Assembly	HLC-600
3	High Limit Switch	HLC-420
4	Spark Electrode	HLC-224
5	Burner Mounting Bracket	HLC-700-02
1-5,A-M	Combustion Chamber Assembly w/ Burner	HLC-600/700

Label	Name	Quan.
A	1/4-20 SS Hex Nut	1
B	1/4" SS Lock Washer	2
C	1/4" SS Fender Washer	2
D	3/4" 1/4-20 SS Hex Bolt	2
E	#6 SS Lock Washer	2
F	1/2" #6-32 Machine Screw	2
G	#8 SS Lock Washer	5
H	1/2" #8-32 Machine Screw	1
I	#8-32 SS Hex Nut	4
J	1/4" NPT Street Elbow	1
K	2 1/4" NPT Brass Nipple	1
L	1/4" NPT Elbow - Brass	1
M	1/4" SAE 45 Flare Male Elbow - Brass	1

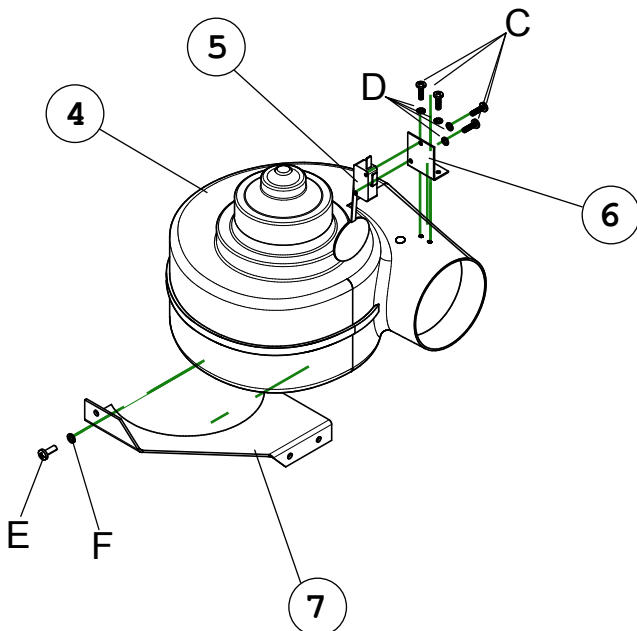
Blower Assembly - Recirculating Style



Label	Name	Quan.
A	1/2" #6-32 SS Machine Screw	4
B	#6 SS Lock Washer	4

Label	Name	Part #
1	Blower	HLC-803
2	Sail Switch Mounting Brkt	HLC-212
3	Sail Switch	HLC-227
1-3,A,B	Blower Assembly - Recirculating Style	HLC-800

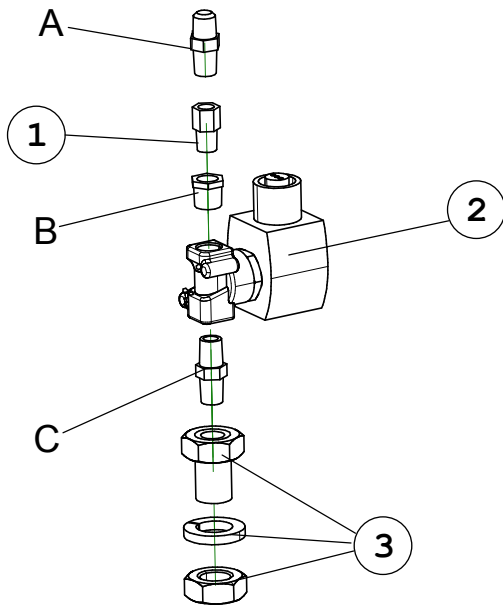
Blower Assembly - Vented Style



Label	Name	Quan.
C	1/2" #6-32 SS Machine Screw	4
D	#6 SS Lock Washer	4
E	1/2" #8-32 SS Machine Screw	1
F	#8 SS Lock Washer	1

Label	Name	Part #
4	Blower	HLC-803
5	Sail Switch	HLC-227
6	Sail Switch Mounting Brkt	HLC-212
7	Blower Support Bracket	HLC-800V-01
4-7,C-F	Blower Assembly - Vented Style	HLC-800V

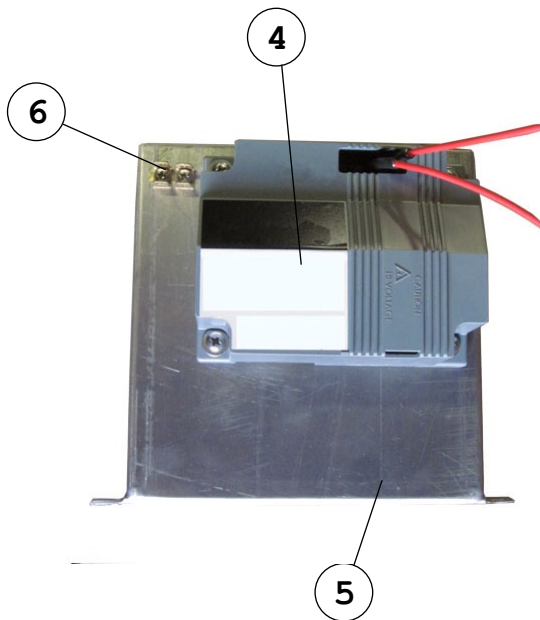
Gas Valve Assembly



Label	Name	Quan.
A	1/4" SAE 45 Male Connector	1
B	1/4" - 1/8" Bushing	1
C	1/4" NPT Hex Nipple	1

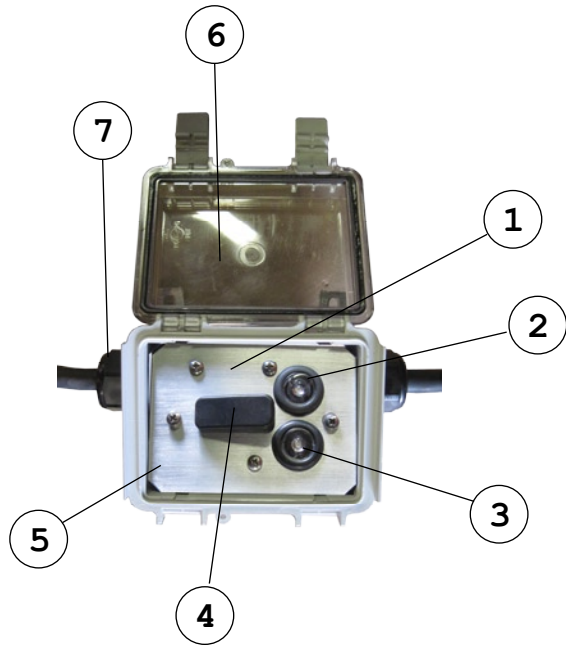
Label	Name	Part #
1	Gas Orifice Fitting	HC-413HLC
2	Gas Valve	HLC-229
3	Brass Bulkhead Fitting	HLC-218

Electrical Tray Assembly



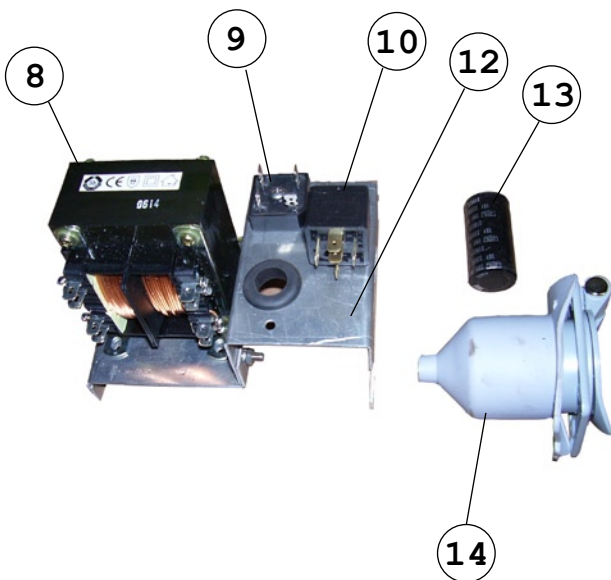
Label	Name	Part #
4	Ignition Module w/ Relay	HLC-918A
5	Electrical Tray	HLC-901
6	Terminal Block	HLC-404
7	Wiring Harness (not shown)	HLC-920
4-7	Electrical Tray Assembly (including wiring)	HLC-900

Control Box



Label	Name	Part #
1	Circuit Breaker (behind plate)	HLC-418
2	Green Indicator Light	HLC-425
3	Amber Indicator Light	HLC-426
4	Rocker Switch	HLC-415
5	Electrical Mounting Plate	N/A
1-5	Control Box Electrical Assembly	HLC-422
6	Enclosure	HLC-421
7	Strain Relief Fitting	HLC-423
1-7	Control Box (above plus enclosure and wiring)	HLC-3

110 V Standby



Label	Name	Part #
8	Transformer	HLC-504
9	Rectifier	HLC-501
10	Changeover (SPDT) Relay	HLC-230
11	Fuse Holder (not shown)	HLC-427
12	Component Mounting Brkt.	N/A
13	Capacitor	HLC-233
14	110V Watertight Receptacle	HLC-513
15	6x6 Enclosure (not shown)	HLC-518
16	Strain Relief Fitting	HLC-423
8-16	110V Standby (includes enclosure and wiring)	HLC-2