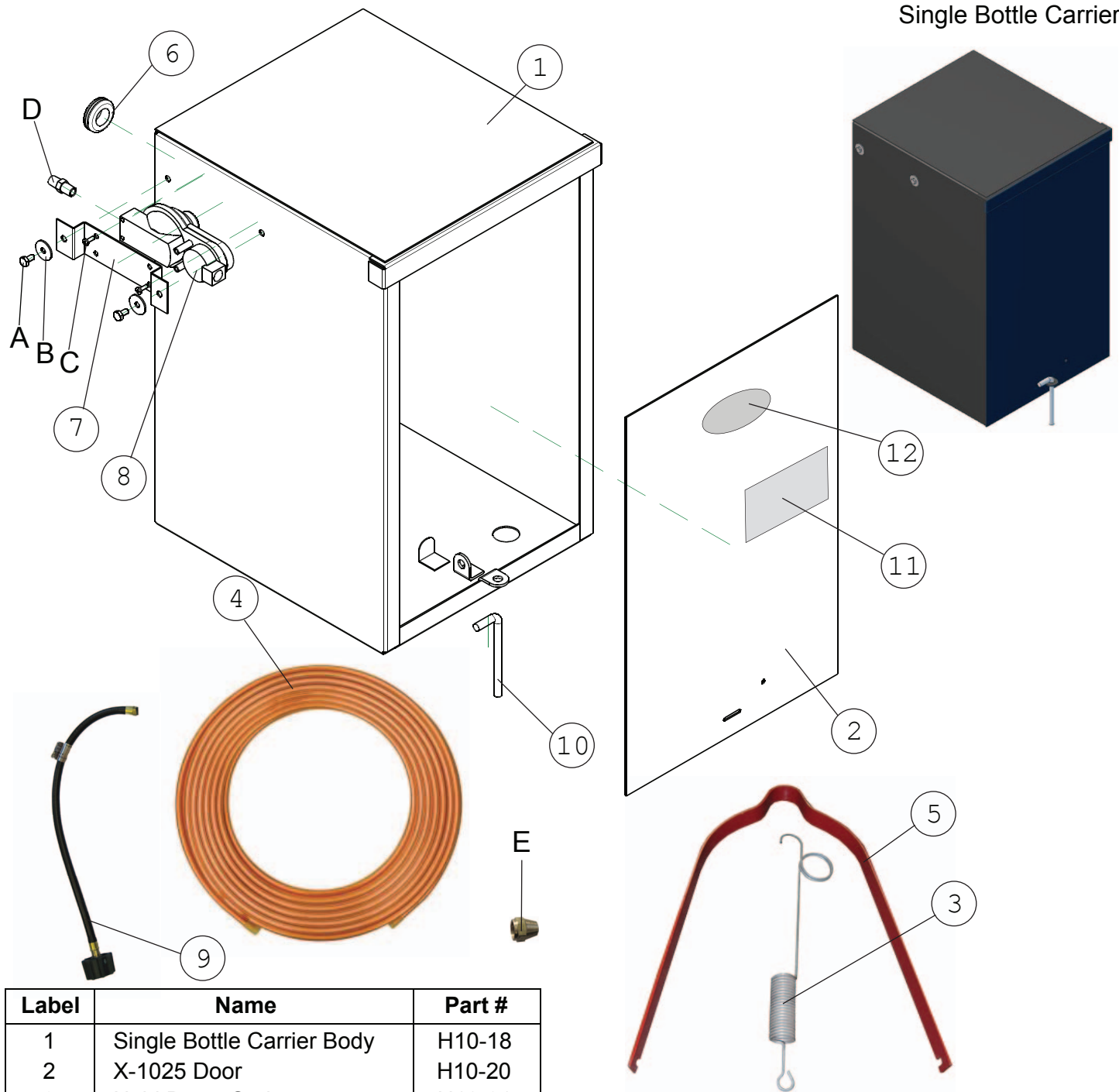


Parts List for Single Bottle Carrier

HX-1025
Single Bottle Carrier



Label	Name	Part #
1	Single Bottle Carrier Body	H10-18
2	X-1025 Door	H10-20
3	Hold Down Spring	H10-21
4	3/8" Copper Tubing - 10 ft	H10-25E
5	Bottle Hold Down Clip	H10-26
6	7/8" Rubber Grommet	H10-170
7	Regulator Bracket	H10-482
8	2-Stage Regulator	H10-626
9	Tank Fitting w/ Hose	H10-829
10	Hook & Chain (Not Shown)	H990-09
11	Decal - "Caution on Tanks"	HD-35
12	Decal - "Product of Elston"	SD-02

Label	Name	Quan.
A	1/2" 1/4"-20 Flanged Hex Hd Bolt	2
B	1/4" Flat Washer	2
C	1/2" #8 Sheet Metal Screws	2
D	3/8" NPT Male x 3/8" Male Flare	1
E	3/8" NPT Flare Nut	2