

Elston Manufacturing Bus Sander Parts List

Ordering a Elston Traction Sander

Select the tank size that will fit best:

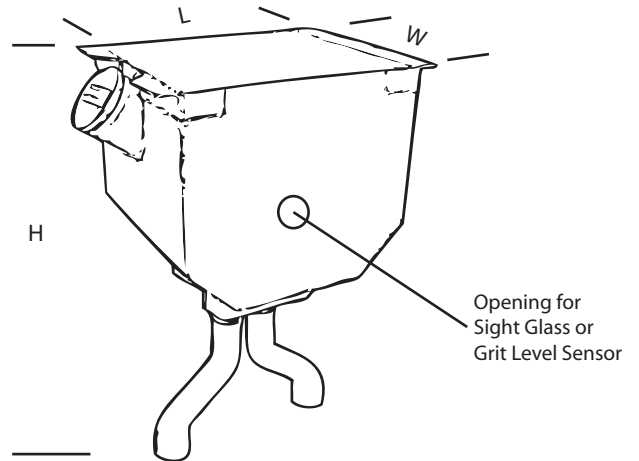
S- _____ (a) example: S-B200

(a) Style of Tank - Available styles are

CODE	DESCRIPTION	SIZE	GRIT CAPACITY
B200	B200	12"W x 20"L x 30"H	70 - 90 lbs
1315	Blue Bird Standard	16"W x 16"L x 27"H	70 - 90 lbs
1315A	Blue Bird Special	12"W x 16"L x 32"H	50 - 65 lbs
2540	Thomas	16"W x 20"L x 30"H	80 - 110 lbs

Dimensions are approximate. Tank style will be slightly different than pictured.
Height can be varied 1 to 2" longer or shorter by modification of discharge hose.

Each set of sanders includes a right hand and left hand tank that is painted red and undercoated. The left hand sander has a impact resistant plastic window to show when the grit is low and the right hand sander has a low power active sensor that is used to power an indicator in the dash to alert the driver when grit is low.



Sample Right Hand Tank

Each set of sanders also includes a wiring kit with 30 feet of wire, dash switch, fuse, and indicator for a typical installation.

If a slightly different configuration is required, such as the sensor on a different side or no dash switch in the installation kit, see page A2 for instructions.

Ordering a Variation on the Standard Elston Traction Sander

1) Select the basic sander

Generally one left hand and one right hand sander is needed.

S- _____ (a) _____ (b) _____ (c) _____ (d) _____ example: S-B200LR15 Left Handed B200 sander with a red tank and a sight gauge

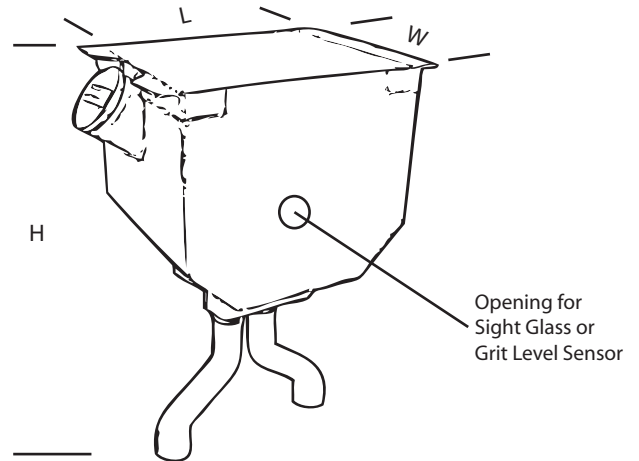
(a) Style of Tank - Available styles are

CODE	DESCRIPTION	SIZE	GRIT CAPACITY	SYMETRICAL
B200	B200	12"W x 20"L x 30"H	70 - 90 lbs	Yes
1315	Blue Bird Standard	16"W x 16"L x 27"H	70 - 90 lbs	Yes
1315A	Blue Bird Special	12"W x 16"L x 32"H	50 - 65 lbs	No
2540	Thomas	16"W x 20"L x 30"H	80 - 110 lbs	Yes

Dimensions are approximate. Tank style will be slightly different than pictured.
Height can be varied 1 to 2" longer or shorter by modification of discharge hose.

(b) Available in (L)eft Hand or (R)ight Hand

Left Hand tank has opening on the opposite side.
Any curve or allowance for the wheels will be on the opposite side as the opening.
Generally right hand sanders are installed on the curb side of the bus and left hand sanders are installed on the road side.
Symmetrical styles such as the one pictured may be installed on either side if desired.



Sample Right Hand Tank

(c) Color of sander tank

(R)ed is standard,
(B)lack or (C)ustom are also available
Custom colors require minimum order sizes and additional lead time

(d) Select the low grit gauge for each sander

Each sander must have one. Options are SE-(15) sight gauge or a SE-(09) level sensor
SE-15 sight gauge is an impact resistant plastic window that shows when grit level is low and sander needs to be refilled
SE-09 level sensor is a low power active sensor used to power a indicator in the dash to alert the driver when grit is low.

2) Select an wiring kit

SE-05 contains wire, dash switch, fuse, and indicator for standard installation with one sight gauge and one level sensor
SE-05A contains all the same parts as SE-05 except the switch and indicator
SE-06 contains similar components for an installation with only sight gauges
SE-06A contains everything in SE-06 except the switch.

S-B200

Standard Pair of Sanders with B200 tanks

Name	Part #	Ref.
Left Handed B200 sander with red tank and sight gauge	S-B200LR15	page A4
Right Handed B200 sander with red tank and electronic level sensor	S-B200RR09	page A4
Installation Kit for a pair of sanders with one sight gauge and one level sensor	SE-05	page A8

S-1315

Standard Pair of Sanders with Blue Bird Standard tanks

Name	Part #	Ref.
Left Handed Blue Bird standard sander with red tank and sight gauge	S-1315LR15	page A4
Right Handed Blue Bird standard sander with red tank and electronic level sensor	S-1315RR09	page A4
Installation Kit for a pair of sanders with one sight gauge and one level sensor	SE-05	page A8

S-1315A

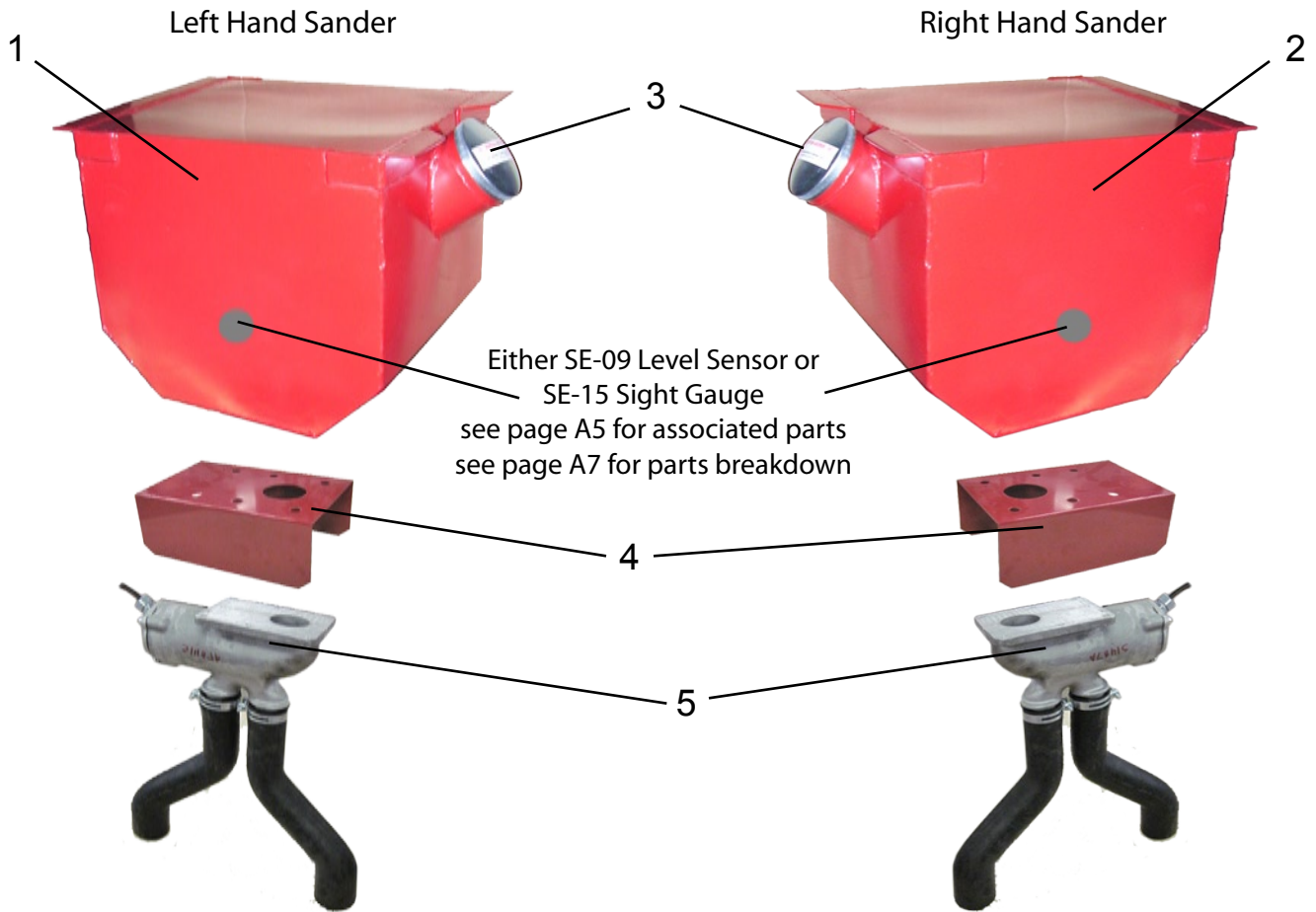
Standard Pair of Sanders with Blue Bird Special tanks

Name	Part #	Ref.
Left Handed Blue Bird special sander with red tank and sight gauge	S-1315ALR15	page A4
Right Handed Blue Bird special sander with red tank and electronic level sensor	S-1315ARR09	page A4
Installation Kit for a pair of sanders with one sight gauge and one level sensor	SE-05	page A8

S-2540

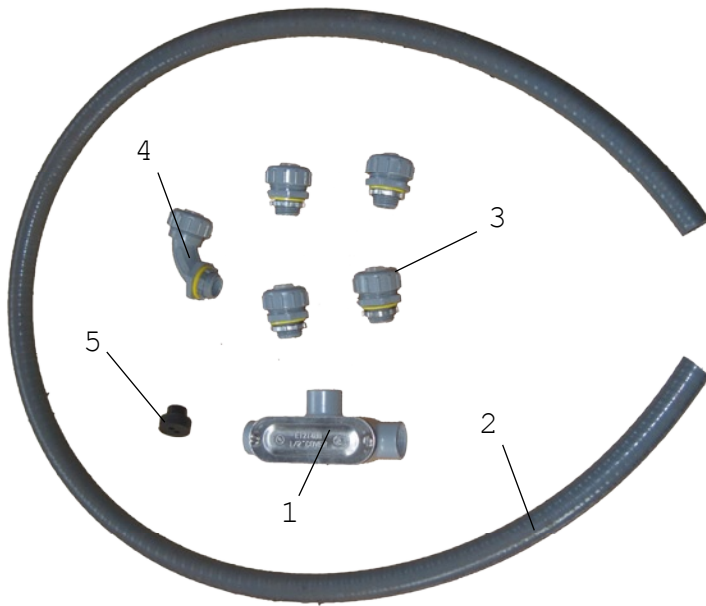
Standard Pair of Sanders with Thomas tanks

Name	Part #	Ref.
Left Handed Thomas sander with red tank and sight gauge	S-2540LR15	page A4
Right Handed Thomas sander with red tank and electronic level sensor	S-2540RR09	page A4
Installation Kit for a pair of sanders with one sight gauge and one level sensor	SE-05	page A8



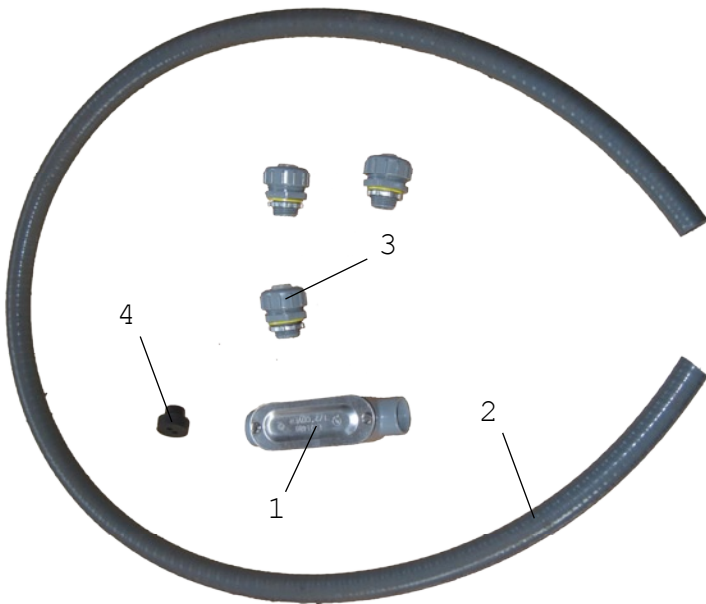
Ref #	Name	Part #	Ref #	Name	Part #
1	Left Hand Sander Tank for B-200 for Blue Bird Standard for Blue Bitd Special for Thomas	SB-___LTR SB-200LTR SB-1315LTR SB-1315ALTR SB-2540LTR	1,3-5	Left Hand Sander* for B-200 for Blue Bird Standard for Blue Bitd Special for Thomas	S-___LR___ S-B200LR S-1315LR S-1315ALR S-2540LR
2	Right Hand Sander Tank for B-200 for Blue Bird Standard for Blue Bitd Special for Thomas	SB-___RTR SB-200RTR SB-1315RTR SB-1315ARTR SB-2540RTR	2-5	Right Hand Sander* for B-200 for Blue Bird Standard for Blue Bitd Special for Thomas	S-___RR___ S-B200RR S-1315RR S-1315ARR S-2540RR
3	Tank Cap Use S2-42 for previous aluminum cap with ears	S4-53-02	Representative tank shown. Tank will differ depending on style chosen. Replace last letter of tank, valve guard, and sander part numbers with B to order a black tank. *Add 09 to sander part number to order sander with SE-09 level sensor *Add 15 to sander part number to order sander with SE-15 sight gauge		
4	Valve Guard	SP-02R			
5	Operating Unit Area (include gaskets)	see page A6			

Additional Parts for sanders with SE-09 Level Sensor

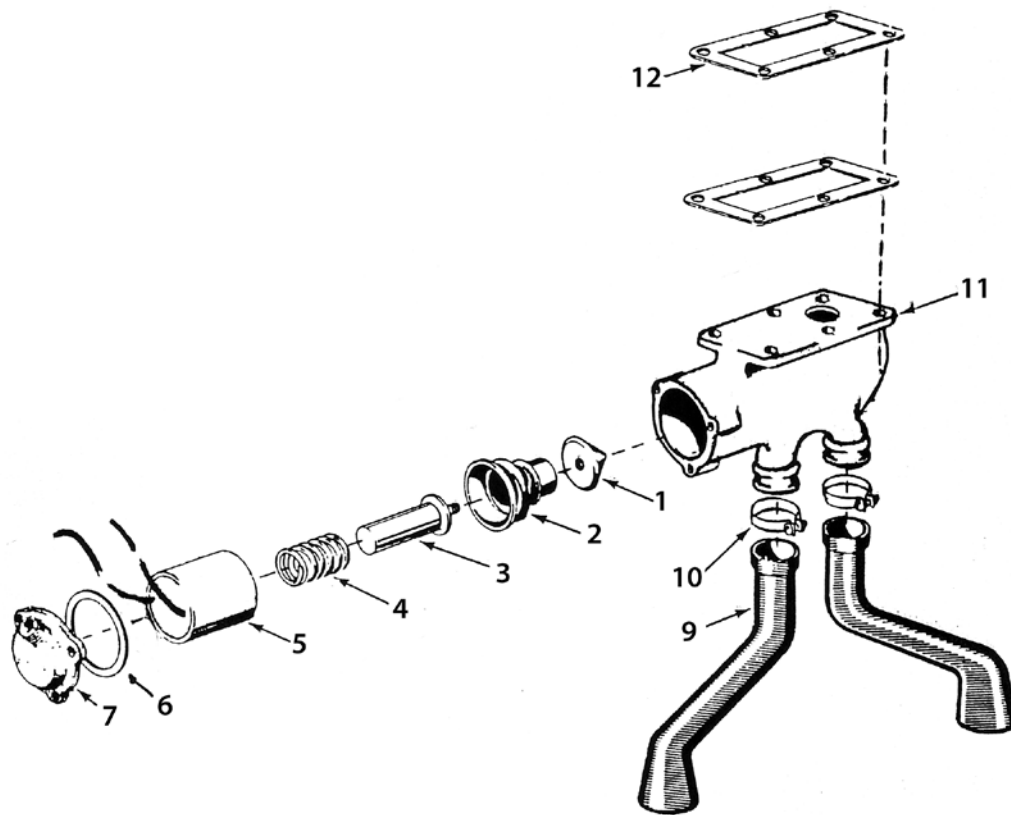


Ref #	Name	Part #
1	T Style Conduit Junction	S150-12
2	7 ft flexible nonmetallic conduit	S150-10
3	Straight thru watertight conduit fittings	S150-14 (x4)
4	90 deg watertight conduit fitting	S150-13
5	Conduit Grommet	S150-8

Additional Parts for sanders with SE-15 Sight Gauge



Ref #	Name	Part #
1	Straight Conduit Junction	S150-11
2	6 ft flexible nonmetallic conduit	S150-10
3	Straight thru watertight conduit fittings	S150-14 (x3)
4	Conduit Grommet	S150-8

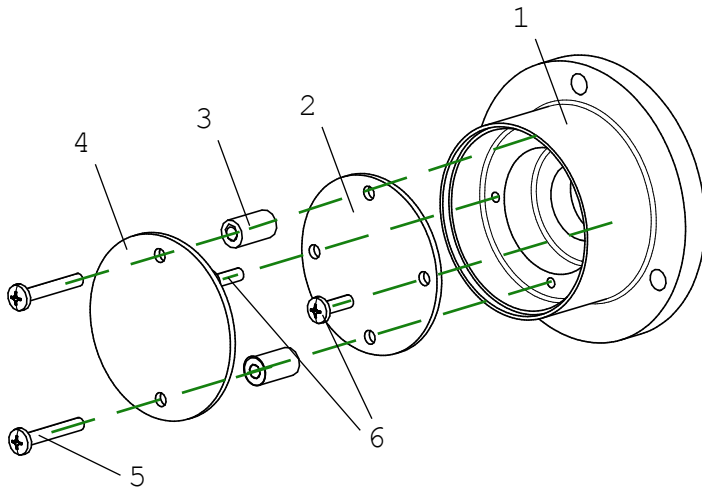


Ref #	Name	Part #	Ref #	Name	Part #
1	Cone Assembly	S15-85	11	Valve Body	S40059
2	Bellows	S161-2	12	Gasket - Valve Body (one installed above SP-02 guard and one installed below)	S16-88
3	Armature	S197-6	1-5	Solenoid & Valve Assy.	S40141
4	Compression Spring	S24-62	1-8,11	Operating Unit	S40084-501
5	Solenoid - 12 V	S40085-501			
6	Solenoid Gasket	S4-41G			
7	Cap - Solenoid Opening	S4-41B			
8	Gasket for Cap (Not Shown)	S16-87			
9	Boot	S124-6			
10	Clamp for Boot	S83-97			

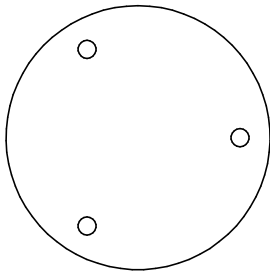
All hardware listed is coarse thread (UNC) and Grade 5 or better unless otherwise noted.

Parts List for Traction Sanders

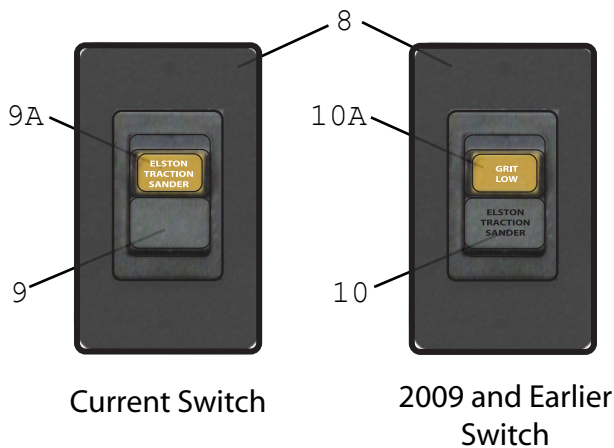
Switch, Level Sensor, and Sight Gauge



Ref #	Name	Part #
1	Sensor Body	SE-09-02
2	Sensor Circuit Board	SE-09-03
3	Plastic Spacer	SE-09-05
4	Sensor Window	SE-09-04
5	3/4" #4-40 Machine Screw	
6	3/8" #4-40 Machine Screw	
1-6	Level Sensor	SE-09



Ref #	Name	Part #
7	Sight Gauge	SE-15



Ref #	Name	Part #
8	Bezel	SK-18
9	Switch - Bus Style	S40131-01
9A	Replacement Lens - "Elston Traction Sander"	S40131-04
10	Switch - Bus Style	S40130-01
10A	Replacement Lens - "Grit Low"	S40130-04
8,9	Switch Assembly - Bus Style Updated	S40131-03
8,10	Switch Assembly	S40130-03

SE-05 Installation Kit

Standard Installation Kit for Set of Sanders with One Sight Gauge and One Level Sensor

Name	Part #
Switch Assembly - Bus Style Updated	S40131-03
Fuse Holder w/20A Fuse	SE-11
30ft 12ga strandard wire -black	SE-12
30ft 18ga stranded 3 conductor parallel wire	SE-13

SE-05A Installation Kit

SE-05 without Switch - Bus Style and Low Grit Indicator Light

SE-06 Installation Kit

Installation Kit for Set of Sanders with Two Sight Gauges

Name	Part #
Switch - Bus Style	S40131-03
Fuse Holder w/ 20A Fuse	SE-11
30ft 12ga strandard wire -black	SE-12

SE-06A Installation Kit

SE-06 without Switch - Bus Style