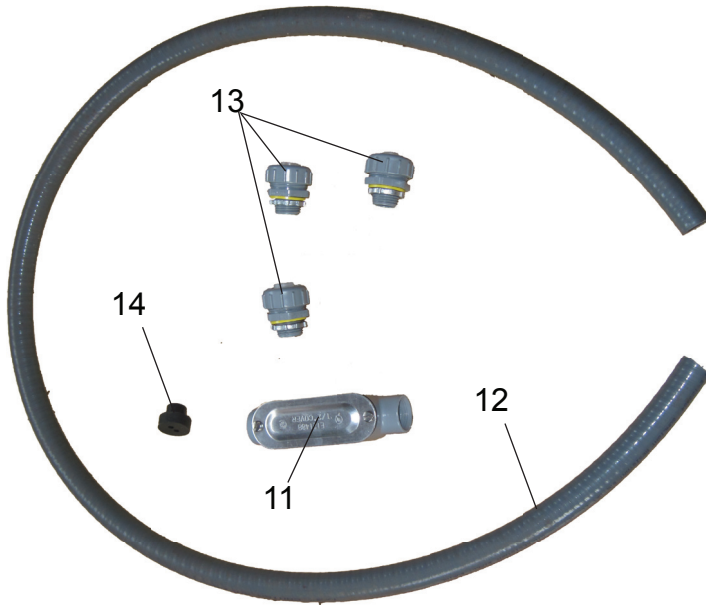


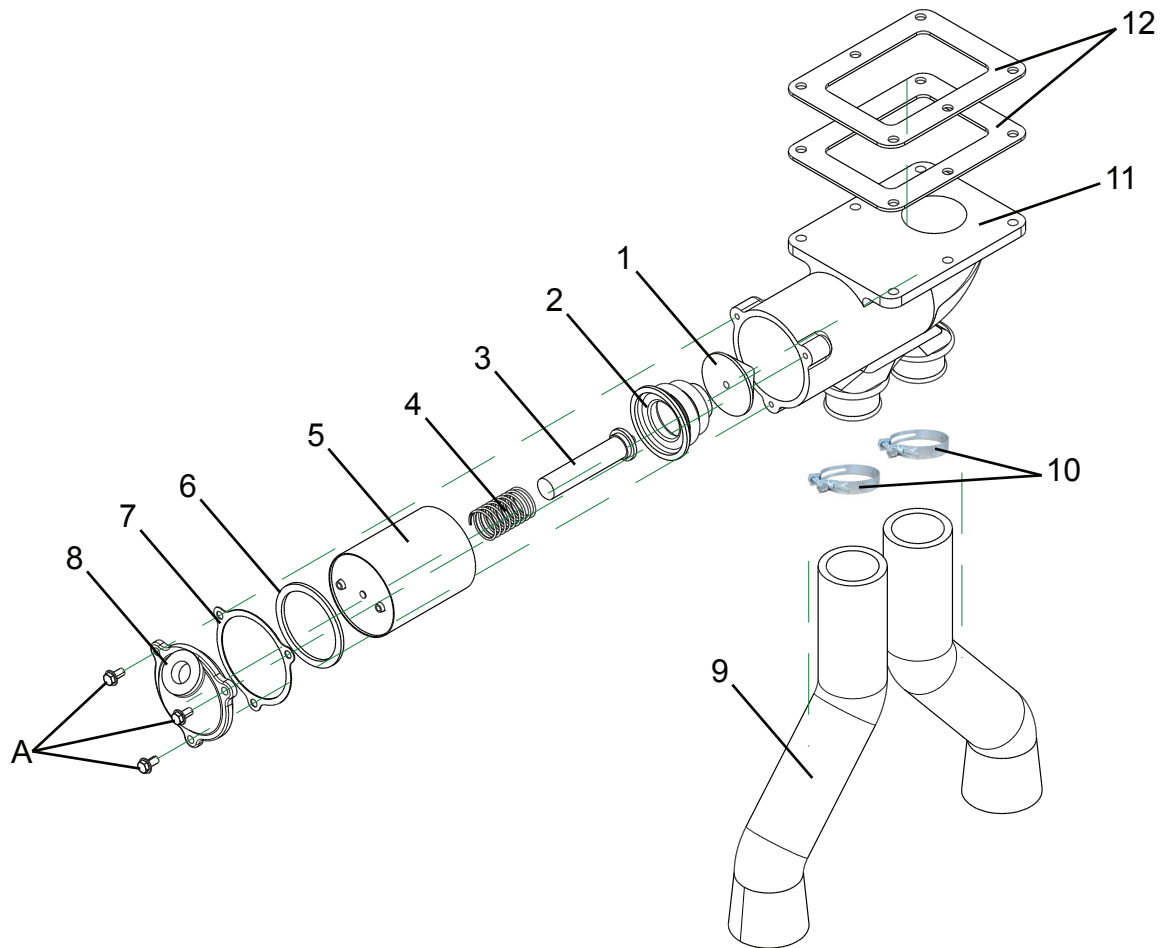
Ref #	Name	Part #	Ref #	Name	Part #
1	Left Hand Sander Tank Powder Coated Steel	S-N100TL	6	Serial Number (inside casting)	
2	Right Hand Sander Tank Powder Coated Steel	S-N100TR	7	Elston Logo Decal	SD-03
3	Tank Cap w/ Retaining Lanyard	S4-53-04	8	Grit Decal	SD-04
4	Valve Guard Powder Coated Steel	SP-02B	9	Quarterfender Mud Flap	S10-01
5	Operating Unit Area <i>(includes gaskets)</i>	see page A6	10	Mud Flap Mntg Bracket	S10-03
			1,2, 3-17 (x2)	Sander w/ Black Steel Tanks	S-N100
				Hardware	
			A	5/16"-18 x 1 1/4" Serrated Hex Flange Bolt	see page A5 for additional parts

Add a C to the tank and sander part numbers for custom colors.



Ref #	Name	Part #
11	Straight Conduit Junction	S150-11
12	6 ft flexible nonmetallic conduit	S150-10
13	Straight thru watertight conduit fittings	S150-14 (x3)
14	Conduit Grommet	S150-8

Ref #	Name	Part #
15	Fuse Holder w/20A Fuse	SE-11
16	30ft 12 ga. Wire - Black	SE-12
17	Switch - Truck Style	S40135



Ref #	Name	Part #
1	Cone Assembly	S15-85
2	Bellows	S161-2
3	Armature	S197-6
4	Compression Spring	S24-62
5	Solenoid - 12 V	S40085-501
6	Solenoid Gasket	S4-41G
7	Gasket for Cap	S16-87
8	Cap - Solenoid Opening*	S4-41B
9	Boot	S124-6
10	Clamp for Boot	S83-97

* Use S4-41C for units on quarterfender sanders with metal conduit

Ref #	Name	Part #
11	Valve Body	S40059
12	Gasket - Valve Body (one installed above SP-02 guard and one installed below)	S16-88
1-5	Solenoid & Valve Assy.	S40141
1-8,11	Operating Unit	S40084-501

Hardware

A 1/4"-20 x 3/4" Serrated Hex Flange Bolt

All hardware listed is coarse thread (UNC) and Grade 5 or better unless otherwise noted.