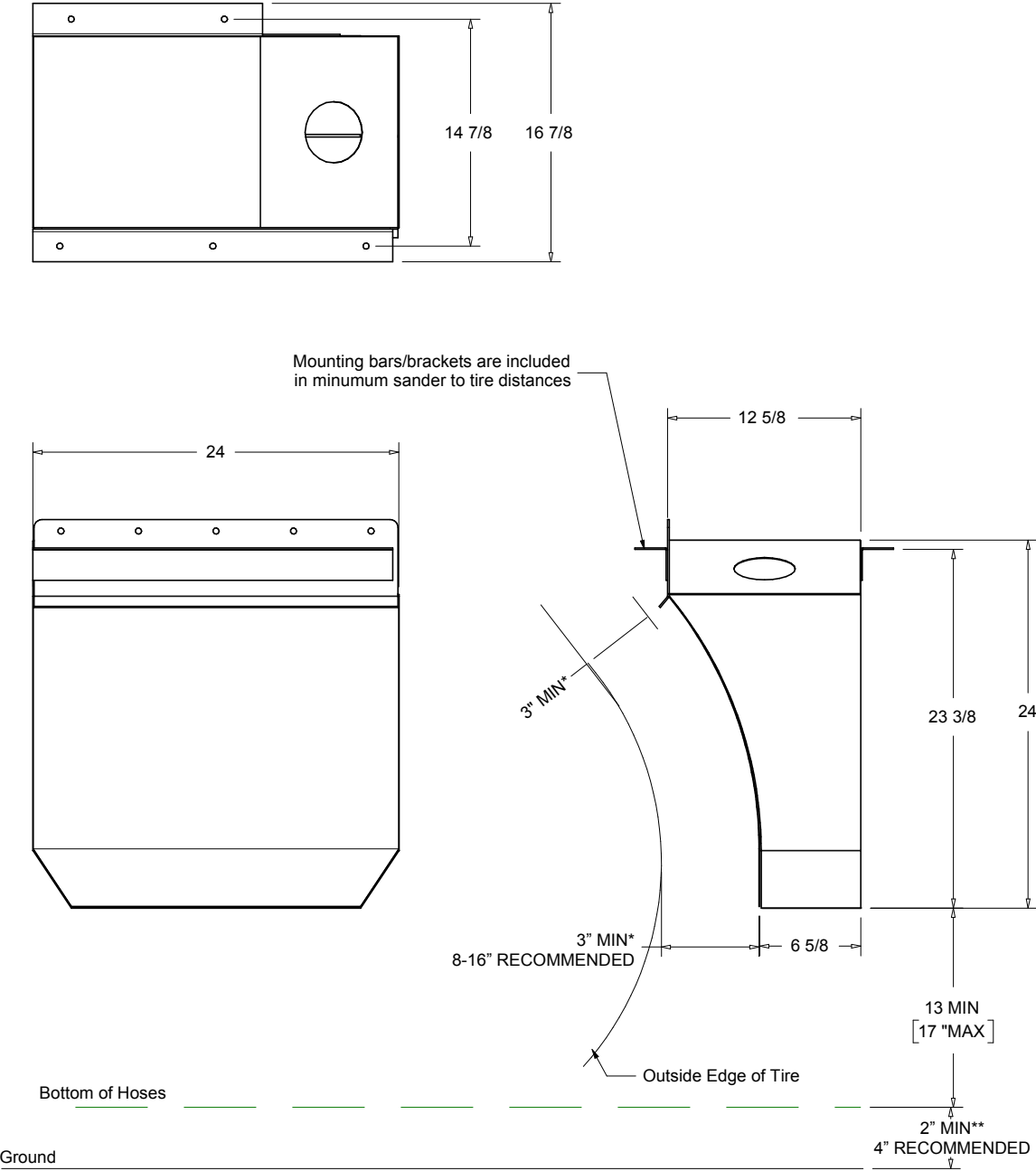


Dimensions of Quarterfender Sanders



* Minimum distance is the worst case distance when full suspension travel is included. This distance is usually between the mounting bar or bracket and the tire.

** Distance when vehicle is fully loaded. 3 to 4 inches is recommended.